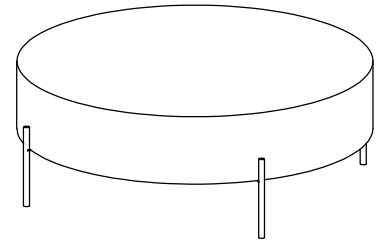


**Warning :**

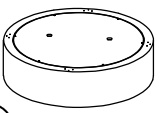




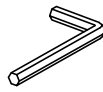
- Be sure to check all packing material carefully for small parts, which may have come loose inside the carton during shipment.
- To prevent possible scratches and damage, this furniture must be assembled on a soft surface such as a blanket or carpet.

**Important Use Information:** We recommend using coasters, placemats and trivets when placing hot or cold containers on this item. It is also recommended to quickly cleanup any spills to minimize exposure to moisture. Doing so will prolong the life and look of the item for many years.

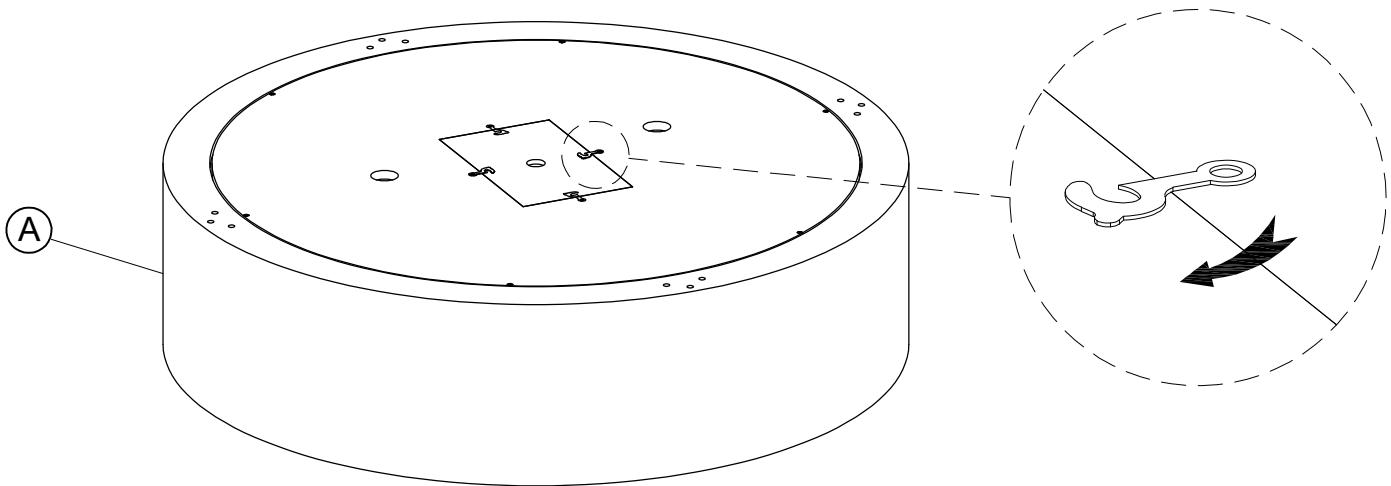


13402  
Round Cocktail Table

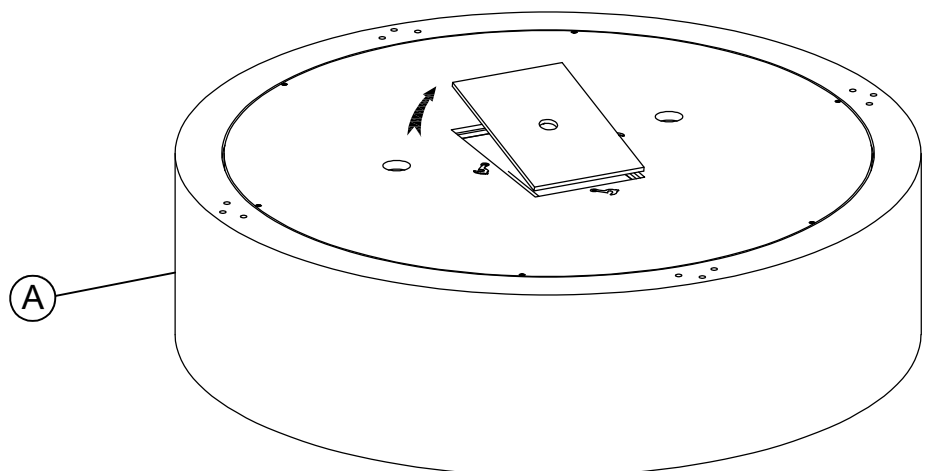
**Components and Hardware List**

<p>Table Top</p>  <p>1 pc.</p>	<p>Leg</p>  <p>4 pcs.</p>	<p>Allen Bolt Ø1/4"-20 x 3/4"</p>  <p>12 pcs.</p>	<p>Flat Washer Ø1/4"</p>  <p>12 pcs.</p>	<p>Lock Washer Ø1/4"</p>  <p>12 pcs.</p>	<p>4mm Allen Key</p>  <p>1 pc.</p>
--	--	--	---	--	---

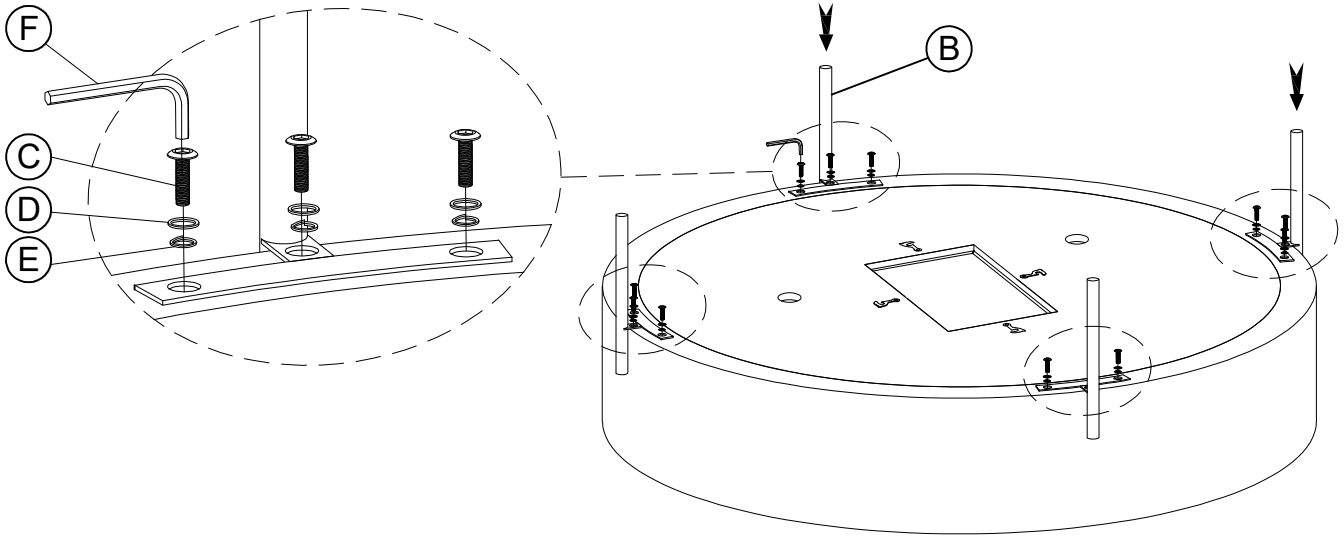
Step 1: Rotate all latch hooks to open cover.



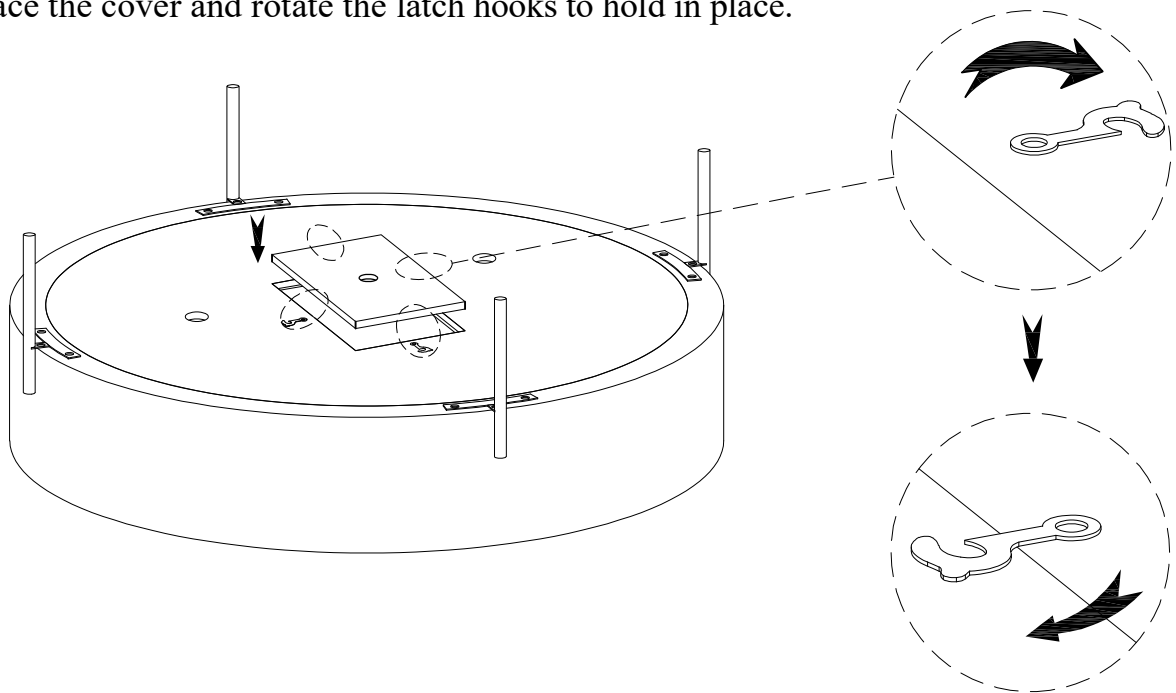
Step 2: Remove the cover to access carton containing the Legs and Hardware package.



Step 3: Using the Allen key tighten all bolts.



Step 4: Replace the cover and rotate the latch hooks to hold in place.



Complete

